

PHILIPS

UV-C disinfection luminaire



Philips UV-C disinfection upper air wall mounted

Breathe healthy air

As part of the Philips UV-C disinfection upper air device series, Philips UV-C disinfection upper air wall mounted is designed to be installed on walls for the disinfection of air in a wide range of applications. Optimized for low ceiling heights, the UV-C rays are distributed at device level and above. The beam of UV-C rays is controlled by specific reflectors and the louvre design. This allows for the disinfection of the air in a space, while ensuring that day-to-day business activities can continue underneath the area where the device is active.

Benefits

- Allows quiet disinfection of air while business activity continues underneath the device's level
- UV-C light has been proven to effectively deactivate tested pathogens¹
- Uses Philips UV-C lamps and drivers
- Environmentally friendly - no ozone emissions during or after use.

Features

- Philips PL-S TUV lamps included: 4x9W
- Shortwave UV radiation peak at 253.7 nm (UV-C)
- Louvres and reflector control the distribution of UV-C at the device level and above, where people are not usually present
- Wall mounted installation
- Complies with IEC 62471 standard for photobiological safety.

¹ Reed, N.G. 2010. The history of ultraviolet germicidal irradiation for air disinfection. Public Health Reports January–February, 125(1):15–27.

UV-C upper air device

Application

Offices
Retail
Food outlets
Hospitality
Schools
Banking
Washrooms

Warnings and safety

DANGER: Risk Group 3 UV product according IEC 62471. Like any disinfection system, UV-C lamps and devices must be installed and used in the correct way. Direct exposure to UV-C can be dangerous and result in a sunburn-like reaction to the skin and serious damage to the cornea. As UV-C is invisible to the eye, the UV-C upper air device must be used and installed in strict accordance with the requirements set forth in the user manual and/or the mounting instructions.

Philips UV-C luminaires systems must only be sold and installed by professionals according to our stringent safety and legal requirements. Our UV-C products are not meant to be used in applications or activities which may cause and/or lead to death, personal injury and/or damage to the environment.

Disclaimer

The UV-C upper air device effectiveness in the deactivation of certain viruses, bacteria, protozoa, fungi or other harmful micro-organisms is as described above under the heading "Benefits". Signify and its group of companies do not promise or warrant that the use of the UV-C upper air devices will protect any user from or prevent infection and/or contamination with any viruses, bacteria, protozoa, fungi, illness or disease. The UV-C upper air devices are not approved and/or certified as a medical device by the FDA and/or any other regulatory body. As such, the UV-C upper air devices are not intended for and must not be used to disinfect medical devices and/or for medical purposes. In addition to and without limitation of any exclusions or limitations of liability of Signify and its group of companies as set forth in any agreement for the sale, distribution or otherwise making available of the UV-C upper air devices, Signify and its group of companies shall have no responsibility or liability whatsoever for any claim or damage that may arise from or relate to any use of the UV-C upper air devices outside of their intended use or contrary to their installation and operation instructions, each as described in this document, the user manuals and/or the mounting instructions.

UV-C upper air device

Specifications

Type	WL345W
Light source	UV-C lamp: 1x TUV T5/ 25W
Lamp included	Yes
Gear	High Frequency ballast (HF-S)
Connection	Cable
Housing material	Aluminum

Reflector material	Aluminum
Color	White/Black
Optimal temperature range	+20 + 40°C
Lifetime	9000h - 90% UV-C @ end of life
Mounting	Wall mounted
Installation	Screw mounting

Versions

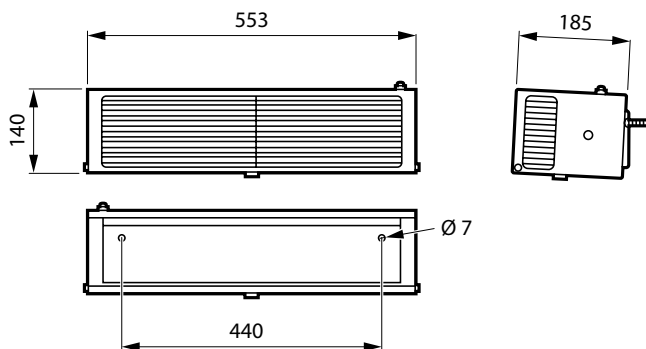


WL345W 1x25W-BS



WL345W 1x25W-SPP

Dimensional drawing



Product	Length	Width	Height
WL345W 1xTUV T5 25W HFS	553 mm	185 mm	140 mm

UV-C upper air device

Approval and Application

Mech. impact protection code	IK02
Ingress protection code	IP20

Operating and Electrical

Input Voltage	230 to 240 V
Input Frequency	50 to 60 Hz

General Information

CE mark	CE mark
Protection class IEC	Safety class I
Flammability mark	For mounting on normally flammable surfaces
Lamp family code	TUV T5
Product family code	WL345W

General information

Order Code	Full Product Name	Lamp type	Gear type	Reflector
919206000011	WL345W 1xTUV T5 25W HFS	1x 25W TUV	HF-S	yes

UV-C radiation

Full Component Name	UV-C radiation luminaire	UV-C irradiance at 2m distance	Order Code
	W	$\mu\text{W}/\text{cm}^2$	GPC
WL345W 1xTUV T5 25W HFS	8	85	919206000011



©2020 Signify Holding. All rights reserved. The information provided herein is subject to change, without notice. Signify does not give any representation or warranty as to the accuracy or completeness of the information included herein and shall not be liable for any action in reliance thereon. The information presented in this document is not intended as any commercial offer and does not form part of any quotation or contract, unless otherwise agreed by Signify.

Philips and the Philips Shield Emblem are registered trademarks of Koninklijke Philips N.V. All other trademarks are owned by Signify Holding or their respective owners.

www.philips.com/uv-c